

Tube in tube

Water Cooled Condensing unit By **itc**

## Feel the Extraordinary Water Cooled Condensing Unit



Water Cooled  
Condensing Unit



Unit Cooler



Unit Cooler

The unique Tube-in-Tube Water Cooled Condensing Unit by ITC is a phenomenal complex machine which can handle high temperature inside the refrigeration system. It is composed of semi-hermetic compressor, multiple tubes and liquid receiver.

Moreover, a semi hermetic compressor is used for condensing unit containing refrigerant with an evaporating temperature at  $-25^{\circ}\text{C}$  or  $-5^{\circ}\text{C}$ , based on the specification. In the package, we also provide a liquid receiver with large reservoir, which its size varies according to type of models.

A set of multiple tubes are aligned for heat exchange. Unlike the air conditioning unit, here water is applied for heat rejection by the process of conduction. Also, with the refrigerant, it then causes heat transfer. Hot gas of refrigerant condenses into liquid form with a temperature less than  $40^{\circ}\text{C}$ . The water at  $31^{\circ}\text{C}$  absorbs all heat and yields  $40^{\circ}\text{C}$ .

Hence, ITC would like to present you this outstanding Tube-in-Tube Water Cooled Condensing unit you will ever have.

**I.T.C. (1993) CO., LTD.**

10, 12 ซอยรามคำแหง 118 แยก 61 แขวงสะพานสูง เขตสะพานสูง กทม. 10240  
10, 12 Soi Ramkhamhaeng 118 Yak 61, Saphansong, Saphansong, Bangkok 10240 Thailand.

Tel : +66-2184-0055 Fax : +66-2184-0065

[www.itc-group.co.th](http://www.itc-group.co.th)

[info@itc-group.co.th](mailto:info@itc-group.co.th)



# Tube in tube

## Water Cooled Condensing unit



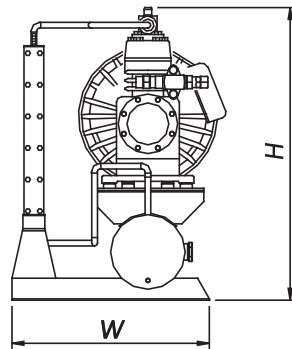
### SWB

ITC's Tube-in-Tube Water Cooled Condensing Unit features the following:

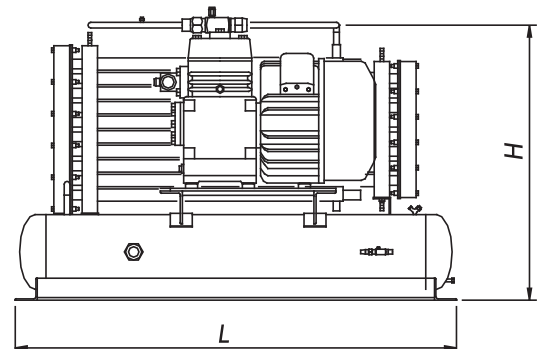
- high energy efficiency semi-hermetic compressor
- engineer as a split system
- easy installation
- compact in size
- high durability and reliability
- factory tested



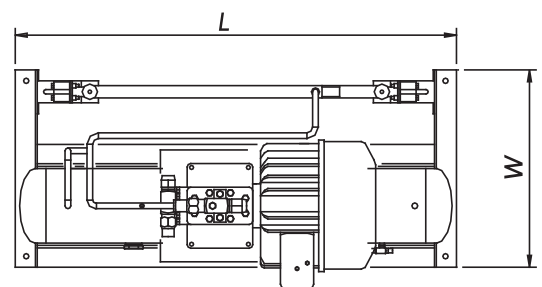
Tube-in-Tube Water Cooled Condensing Unit manufactured and assembled in the ITC's factory.



Side view



Front view



Top view

### Tube-in-Tube Water Cooled Condensing Unit

| Model     | Capacity at -5 °C Watts | Capacity at -25 °C Watts | Water Flow m <sup>3</sup> /Hr | Receiver Volume (dm <sup>3</sup> ) | Overall Dimension (mm) |       |        | Unit Weight in kg |
|-----------|-------------------------|--------------------------|-------------------------------|------------------------------------|------------------------|-------|--------|-------------------|
|           |                         |                          |                               |                                    | Length                 | Width | Height |                   |
| S101B-SWB | 5,930                   | 2,450                    | 19                            | 4.7                                | 750                    | 400   | 620    | 85                |
| S103A-SWB | 7,360                   | 3,020                    | 24                            | 6.8                                | 850                    | 450   | 630    | 126               |
| S104A-SWB | 10,960                  | 4,480                    | 35                            | 9                                  | 1,050                  | 450   | 700    | 133               |
| S105A-SWB | 14,900                  | 6,250                    | 48                            | 12                                 | 1,100                  | 500   | 750    | 160               |
| S107A-SWB | 18,340                  | 7,650                    | 59                            | 15                                 | 1,200                  | 600   | 800    | 163               |

- Note :** 1.) Above capacity rating based on R-404a, and 31 °C water entering condenser.  
 2.) Other capacity and dimension are available. Please contact manufacturer.  
 3.) Specifications are subjected to change without notice.

